



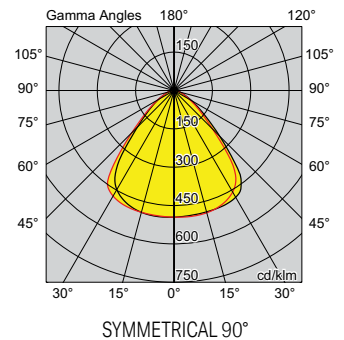
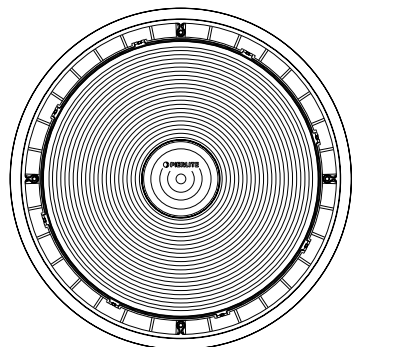
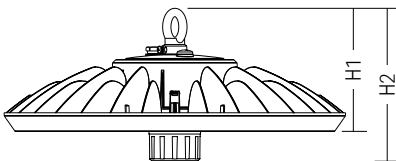
**PIERLUX SENSOR HIGHBAY**

**PRODUCT DETAILS**

- Lumen maintenance: L70 60,000hrs
- LED: 4000K or 5000K, CRI85, 3SDCM
- Beam angle: Symmetrical, 90°
- Glare control: Improved optical design for better glare control
- Driver: Integral, Lumen Select, Non dimmable
- Surge protection: 4kV/2kA
- Sensor: HF sensor, Programmable with optional remote
- Flicker free: PstLM≤1, SVM≤0.4
- Rating: IP65, IK08, Class I
- Operating temperature: -25°C to +50°C
- Housing: LM6 Aluminium (copper content <0.1%)
- Finishing: Black, Powder coated
- Diffuser/Lens: Polycarbonate (PC), Clear, Ribbed
- Connection: 1.7m Flex & Plug, Safety wire
- Accessory: Optional Surface mount kit, Polycarbonate refractor, Polycarbonate refractor lens, Aluminium reflector, Aluminium dust cover, Wireguard
- Warranty: 5 year

**APPLICATIONS**

Suspended/Surface mounted (ceiling), Internal/External  
 Suitable for Greenstar applications, Warehousing, Industrial facilities, Workshops, Retail environments, Cold storage, Sports facilities



VERSION	D (MM)	H1 (MM)	H2 (MM)
ECOHB200LSE4G7	330	119	147
ECOHB200LSE5G7	330	119	147

CODE	DESCRIPTION	POWER	LUMENS	EFFICACY	WEIGHT
PLHB200LS4GSH	PIERLUX GS HIGHBAY 200W LUMEN SELECT HIGHBAY 4000K GREEN STAR C/W SENSOR CRI85 SDCM<3 FLICKER FREE	200W	32000LM	165LM/W	2.6KG
		170W	27000LM	171LM/W	
		120W	20000LM	178LM/W	
		100W	17000LM	181LM/W	
PLHB200LS5GSH	PIERLUX GS HIGHBAY 200W LUMEN SELECT HIGHBAY 5000K GREEN STAR C/W SENSOR CRI85 SDCM<3 FLICKER FREE	200W	30000LM	171LM/W	2.6KG
		170W	27000LM	174LM/W	
		120W	19000LM	181LM/W	
		100W	16000LM	184LM/W	

"POWER" is tested system powers from luminaire; "LUMENS" is delivered lumens from luminaire, including thermal, electrical and optic losses; ^Figures are interpolated / extrapolated from data at other versions.

PART NUMBER	MOUNTING BRACKET/ ACCESSORY	MANUFACTURED FROM	SECURED BY	COMPATIBLE WITH	IMAGES
HBBRKT	Surface mount kit	Powdercoated Steel	Supplied screws	120W & 200W Eco Highbay Gen7 Sensor Highbay	
HBRODBRKT	Rod Suspension - 200mm long. Can Be used with dust cover	Powdercoated Steel	Remove Eyelet, screw screw into highbay	120W & 200W Eco Highbay Gen7 Sensor Highbay DALI Highbay	
HBWG	Wireguard	Powdercoated Steel	Supplied screws and brackets	120W & 200W Eco Highbay Gen7 Sensor Highbay DALI Highbay	
HBPCREFR	Refractor	Polycarbonate	Supplied screws and brackets	120W & 200W Eco Highbay Gen7 Sensor Highbay DALI Highbay	
HBPCLENS	Refractor Lens	Polycarbonate & Aluminium	Aluminium ring	For use with HBPCREFR	
HBALREFL	Reflector	Aluminium	Supplied screws	120W & 200W Eco Highbay Gen7 Sensor Highbay DALI Highbay	
HBDUSTCOV	Dust Cover	Aluminium	Supplied screws	120W (limited to 100W) @ 40°C  200W (limited to 120W @ 40°C)	
HBGRIP2MKIT	Suspension kit 2 metre	Stainless Steel	Supplied kit	120W & 200W Eco Highbay Gen7 Saturn Highbay 420W Highbay DALI Highbay Gen2 Sensor Highbay	
PMH10	Remote for sensor programming	Plastic		Sensor Highbay	